

Tornado™ Waterwall Acrylic

Pressurized Acrylic Waterwalls

- **New Improved Design**
- **New Lip Size** – 50mm instead of 30mm for easier installation
- **LED Lights can be fitted afterwards** – and easily replaced
- **Improved Flow**
- **New Mounting brackets** – Easier to mount the unit and to get it level.



Wall Washing Mode



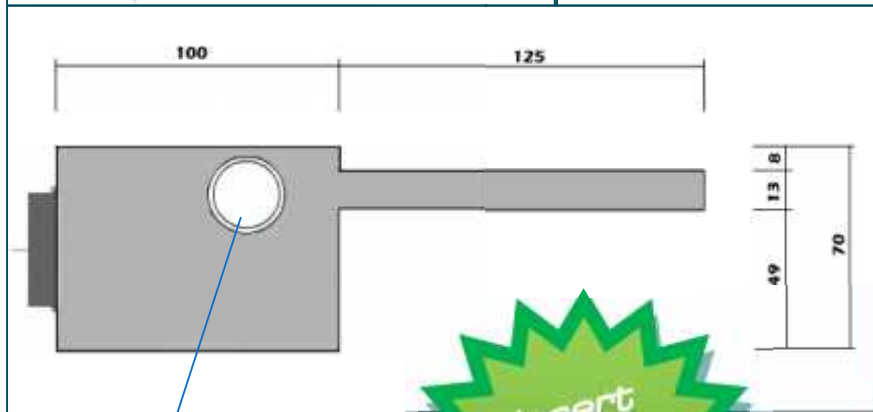
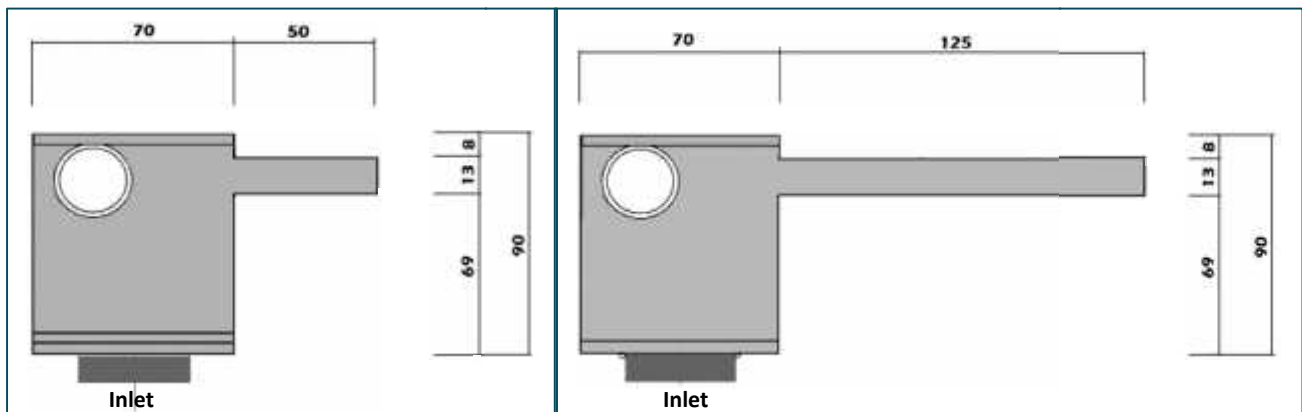
Projecting Mode



Tornado™ Waterwall Acrylic

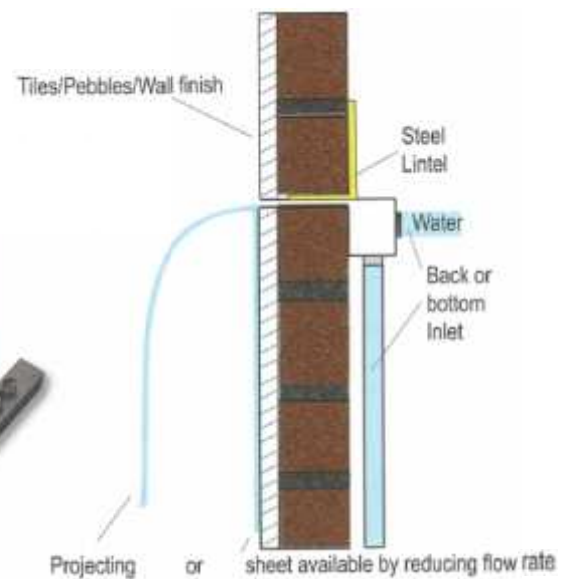
Code	Description	Inlet(s)	Minimum inlet flow Freefall (l/h)	Minimum inlet flow wall wash (l/h)
WPP103	300mm Pressurised Waterwall - 50mm lip	1 x 1½" FM (centre)	2800	1300
WPP106	600mm Pressurised Waterwall - 50mm lip	1 x 1½" FM (centre)	5600	2600
WPP109	900mm Pressurised Waterwall - 50mm lip	1 x 2" FM (centre)	8400	3900
WPP112	1200mm Pressurised Waterwall - 50mm lip	2 x 2" FM	11000	5300
WPP115	1500mm Pressurised Waterwall - 50mm lip	2 x 2" FM	14000	6800
WPP503	300mm Pressurised Waterwall - 125mm lip	1 x 1½" FM (centre)	2800	1300
WPP506	600mm Pressurised Waterwall - 125mm lip	1 x 1½" FM (centre)	5600	2600
WPP509	900mm Pressurised Waterwall - 125mm lip	1 x 2" FM (centre)	8400	3900
WPP512	1200mm Pressurised Waterwall - 125mm lip	2 x 2" FM	11000	5300
WPP515	1500mm Pressurised Waterwall - 125mm lip	2 x 2" FM	14000	6800

* Available with either Bottom or Rear entry. For the model numbers just add a (U) for Underneath and a (R) for Rear to the end.



Insert LED light unit here.

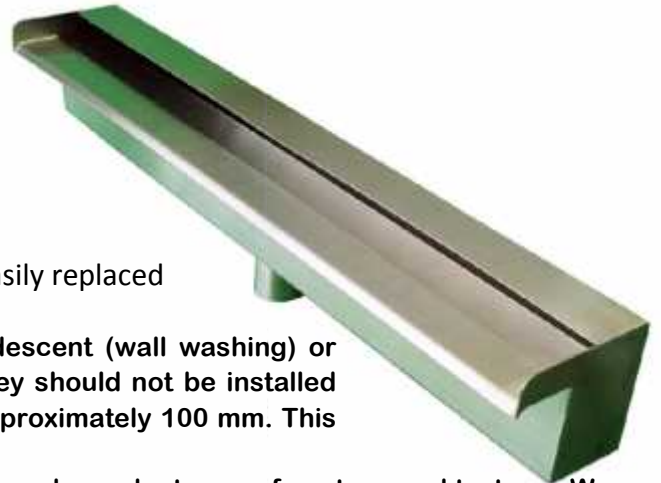
Insert LED Lights Anytime



Tornado™ Waterwall S/Steel

S/Steel Combination Waterwalls

- **New Improved Design**
- **Improved Flow**
- **LED Lights can be fitted afterwards** – and easily replaced



These economy waterfalls may be used for either sheet descent (wall washing) or projecting effects. When used as a projecting waterfall, they should not be installed above 700 mm high. The projection from the wall is only approximately 100 mm. This must be considered in the design and construction.

Water flow requirements for wall washing applications are very dependent on surface type and texture. We strongly recommend selecting pumps to exceed the minimum figures supplied and using in-line valve(s) to adjust and throttle the flow to suit the installation.

Note that customised specifications are not available with these Combo units, as they are imported. For custom sizes or specifications, use the sheet descent or projecting versions

Wall Washing Mode



Projecting Mode



Tornado™ Waterwall S/Steel

Code	Description	Inlet(s)	Minimum inlet flow Freefall (l/h)	Minimum inlet flow wall wash (l/h)
WWBS03R	Tornado Combo Water Wall – 300mm Rear Entry	1 x 1" FM (centre)	2200	1400
WWBS06R	Tornado Combo Water Wall – 600mm Rear Entry	1 x 1" FM (centre)	4400	2700
WWBS09R	Tornado Combo Water Wall – 900mm Rear Entry	2 x 1" FM (225 from ends)	6500	4000
WWBS12R	Tornado Combo Water Wall – 1200mm Rear Entry	2 x 1" FM (300 from ends)	8700	5100
WWBS15R	Tornado Combo Water Wall – 1500mm Rear Entry	3 x 1" FM	11000	6800
WWBS03U	Tornado Water Wall – 300mm Bottom Entry	1 x 1" FM (centre)	2800	1300
WWBS06U	Tornado Water Wall – 600mm Bottom Entry	1 x 1" FM (centre)	5600	2600
WWBS09U	Tornado Water Wall – 900mm Bottom Entry	2 x 1" FM (225 from ends)	8400	3900
WWBS12U	Tornado Water Wall – 1200mm Bottom Entry	2 x 1" FM (300 from ends)	11000	5300
WWBS15U	Tornado Water Wall – 1500mm Bottom Entry	3 x 1" FM	14000	6800



Insert LED light unit here.



Approx. dimensions in mm (± 3 mm)

